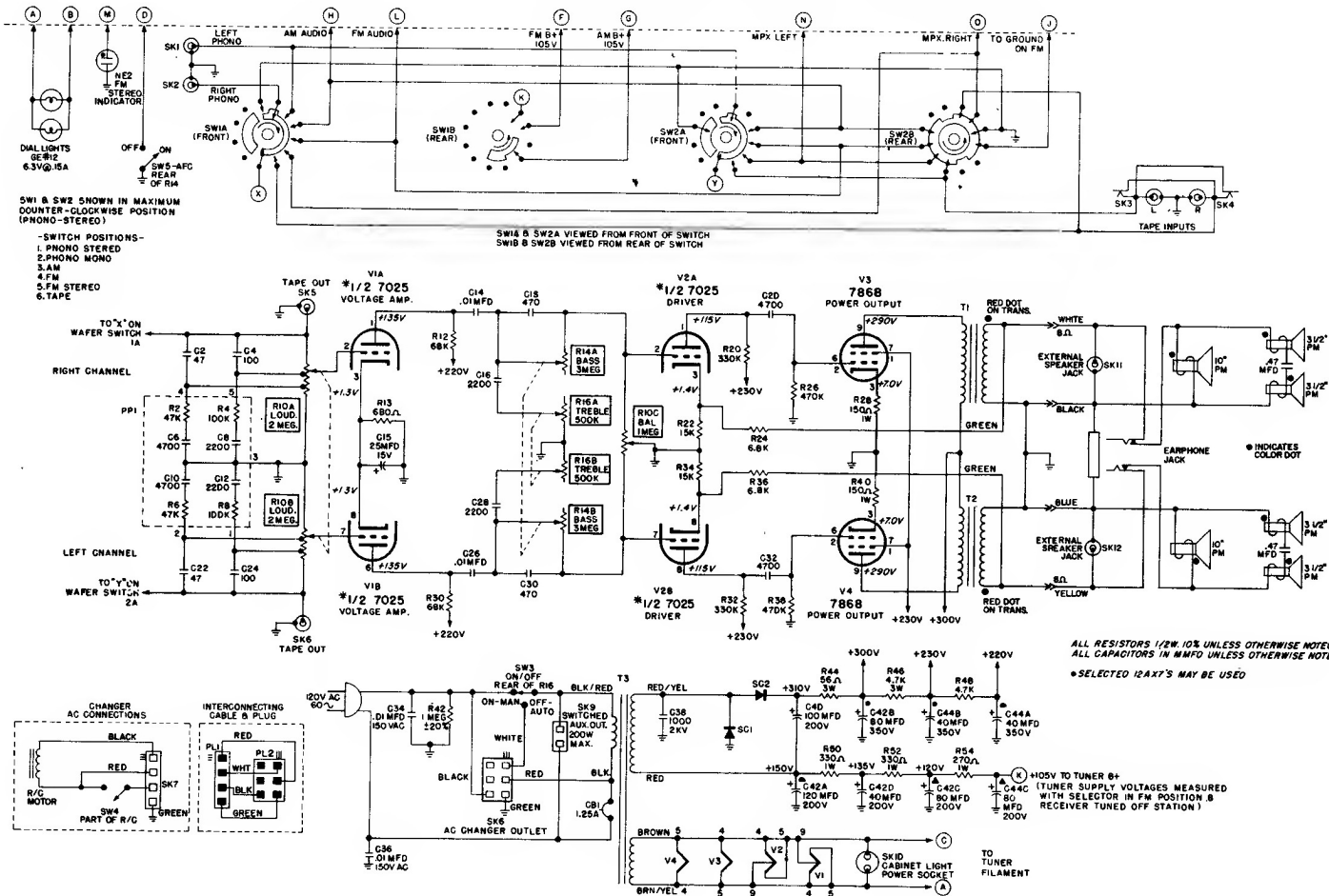


SCHEMATIC DIAGRAM 803-5



SCHEMATIC NOTES

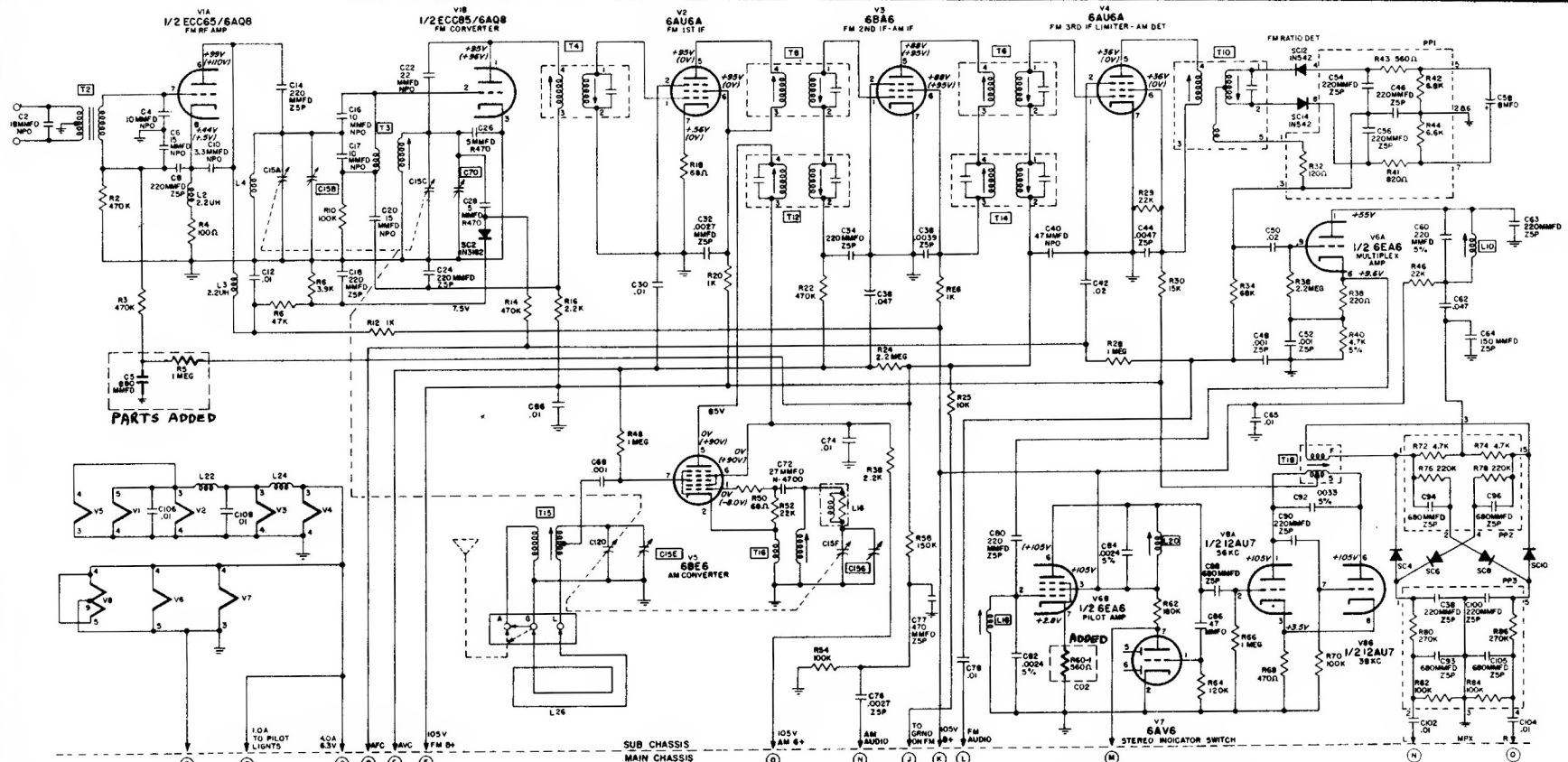
1. Voltages shown are average readings measured to chassis with no signal input. Variations may be noted due to normal production tolerances.
2. AC power source 120 volt, 60 cycle.
3. Capacitance in micro-microfarads unless otherwise noted.
4. \equiv designates chassis ground.
5. ● indicates color dot on speakers for correct phasing.
6. R10, R14, R16, are dual ganged controls.

SYLVANIA

MODELS: SC740, SC741, SC743, SC744, SC746, SC748 SERIES

CHASSIS: 803-5

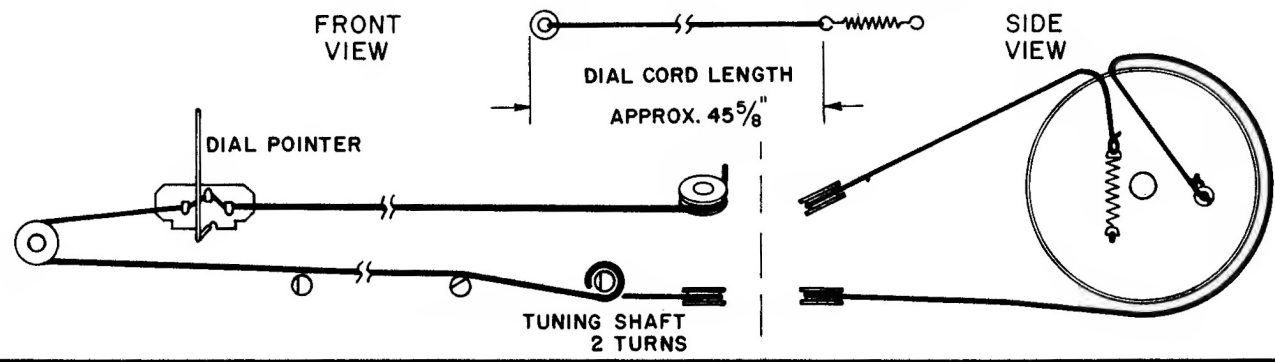
SCHEMATIC DIAGRAM 371-1 (AM/FM TUNER)



AM IF 455 KC.
FM IF 10.7 MC.

+00 IN AM SWITCH POS.
(+00V) IN FM " "

DIAL STRINGING (371-1 CHASSIS)



SYLVANIA
 Tuner 371-1 used in
 Chassis 802-5, 803-5